

AVAILABLE MOUNTING CONFIGURATIONS

6RB-CC CLOSE-COUPLED
6RB-VM VERTICAL CLOSE-COUPLED

OPERATING LEVELS

MIN FLOW	750 GPM	172.5 m ³ /h
MAX FLOW	4,000 GPM	920 m ³ /h
DISCHARGE SIZE	6"	254 mm
SUCTION SIZE	10"	152 mm
SOLIDS HANDLING	1.31"	33 mm
MAX SPEED	1800 RPM	1800 RPM
SHUT-OFF HEAD	190'	58 m
MAX WORKING PRESSURE	130 PSI	896 kPa
BEP HEAD	150'	46 m
BEP FLOW	2900 GPM	667 m ³ /h
BEP PERCENT	89%	89%



A typical picture of the pump is shown. Please contact StarTech Pump Company for further details. All information is approximate and for general guidance only.

The 6RB general purpose pump is designed with StarTech renowned quality and durability. It features a 6" discharge and a 10" suction, enclosed multi-vane **impeller and flanged tangential double volute.** Optional motors include TEFC (other options available).

- External hydraulic balance line
- Back pullout design
- Replaceable hub & suction wearings
- Replaceable shaft sleeve
- **High efficiency hydraulics**
- Low operating costs
- Two year warranty
- Optional Cycloseal® with type 1 mechanical seal
- Optional Run-Dry™ lubrication system
- "Shower curtain shield" bearing protection
- Double volute

PARTS	STANDARD MATERIAL (BRONZE FITTED)
WEAR RINGS	BRONZE SAE 660
IMPELLER	BRONZE SAE40
VOLUTE	CAST IRON ASTM A48 CL30
SHAFT	CARBON STEEL
SHAFT SLEEVE	BRONZE SAE 660
BACKPLATE	CAST IRON ASTM A48 CL30
PACKING (STANDARD)	GRAPHITED ACRYLIC
MECHANICAL SEAL (OPTIONAL)	T-1, BUNA, CARBON/CERAMIC
MOTOR	ODP W/ 1.15 SF



AGRICULTURE



FOOD



INDUSTRIAL



MINING



MUNICIPAL



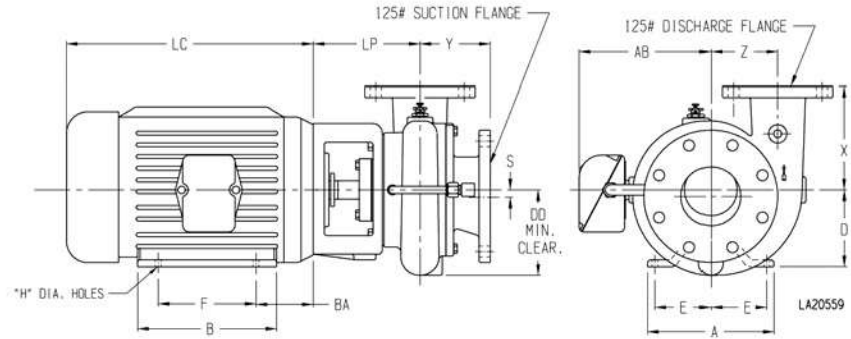
OIL & GAS



REFRIGERATION

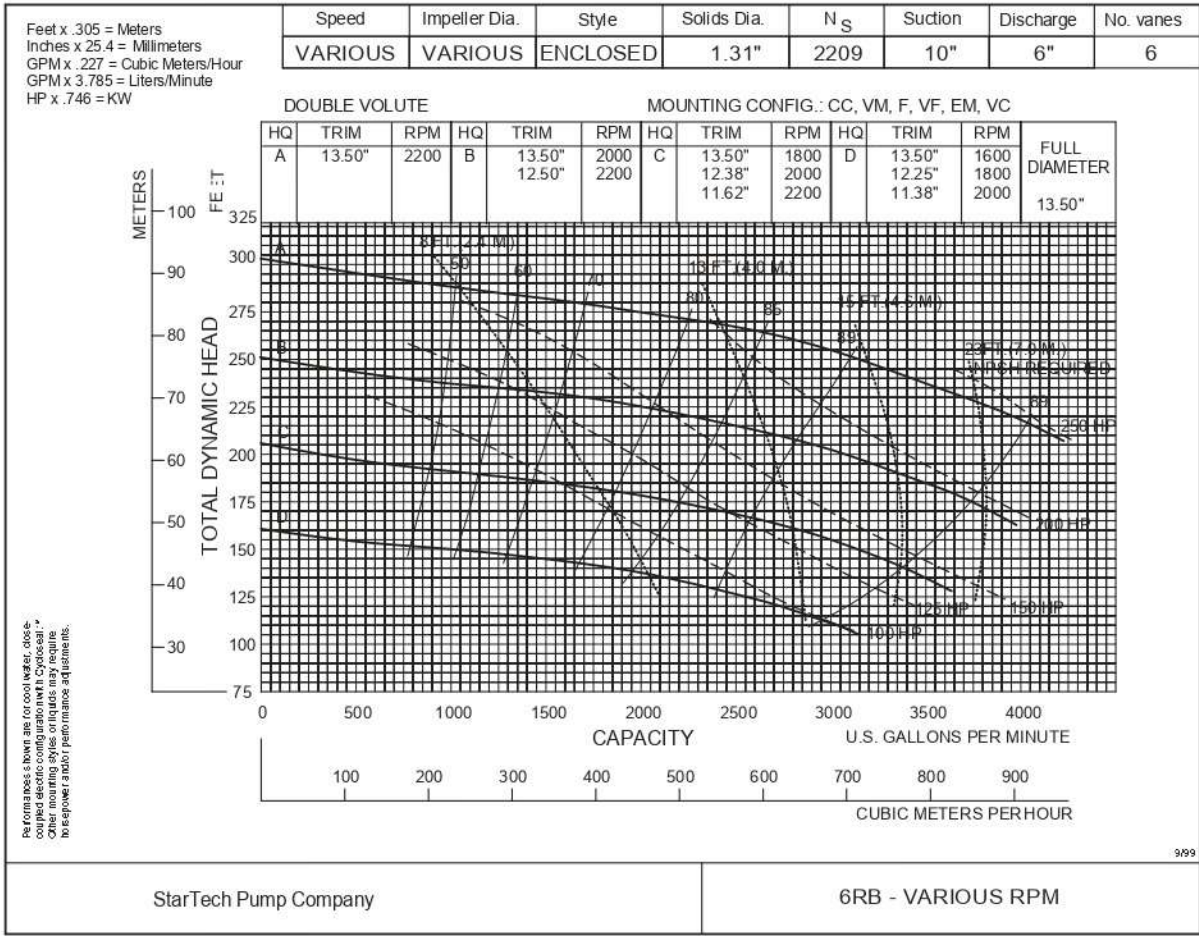


RENTAL



PUMP DIMENSIONS										
MODEL	CONNECTION		DISCHARGE INCREMENT	AK DIM.	DD	S	X	Y	Z	LP
	DISCHARGE	SUCTION								
6RB	6	10	90°	12.5	15.38	1	11	9.91	9.5	11.06

MOTOR DIMENSIONS										
MOTOR FRAME	AK DIM.	A	B	D	E	F	H	AB	BA	LC
324-6	12.5	14.25	14	8	6.25	12	0.66	12.22	5.5	22.19
364-5	12.5	15.75	14	9	7	12.25	0.66	13.2	6.12	24.31
404-5	12.5	18.5	16.62	10	8	13.75	0.81	16.39	6.88	29.97



NEW PAGE

6RBVA