

AVAILABLE MOUNTING CONFIGURATIONS

4RB-CC CLOSE-COUPLED
4RB-VM VERTICAL CLOSE-COUPLED

OPERATING LEVELS

MIN FLOW	150 GPM	34 m ³ /h
MAX FLOW	1390 GPM	315.5 m ³ /h
DISCHARGE SIZE	4"	102 mm
SUCTION SIZE	6"	152 mm
SOLIDS HANDLING	0.84"	21.34 mm
MAX SPEED	1800 RPM	1800 RPM
SHUT-OFF HEAD	180'	55 m
MAX WORKING PRESSURE	175 PSI	1207 kPa
BEP HEAD	145'	44.2 m
BEP FLOW	1030 GPM	234 m ³ /h
BEP PERCENT	85%	85%



A typical picture of the pump is shown. Please contact StarTech Pump Company for further details. All information is approximate and for general guidance only.

The 4RB general purpose pump is designed with StarTech's renowned quality and durability. It features a 4" discharge and a 6" suction, enclosed multi-vane impeller **and flanged tangential single volute. Optional motors** include TEFC (other options available).

- External hydraulic balance line
- Back pullout design
- Replaceable hub & suction wearings
- Replaceable shaft sleeve
- **High efficiency hydraulics**
- Low operating costs
- Two year warranty
- Optional Cycloseal® with type 1 mechanical seal
- Optional Run-Dry™ lubrication system
- "Shower curtain shield" bearing protection

PARTS	STANDARD MATERIAL (CAST IRON BRONZE FITTED)
WEAR RINGS	Bronze SAE 660
IMPELLER	Bronze SAE 40
VOLUTE	Cast Iron ASTM A48 CL30
SHAFT	Carbon Steel
SHAFT SLEEVE	Bronze SAE 660
BACKPLATE	Cast Iron ASTM A48 CL30
PACKING (STANDARD)	Graphited Acrylic
MECHANICAL SEAL (OPTIONAL)	Single T-1, Buna, Carbon/ Ceramic
MOTOR	Open drip-proofw/ 1.15 service factor



AGRICULTURE



FOOD



INDUSTRIAL



MINING



MUNICIPAL



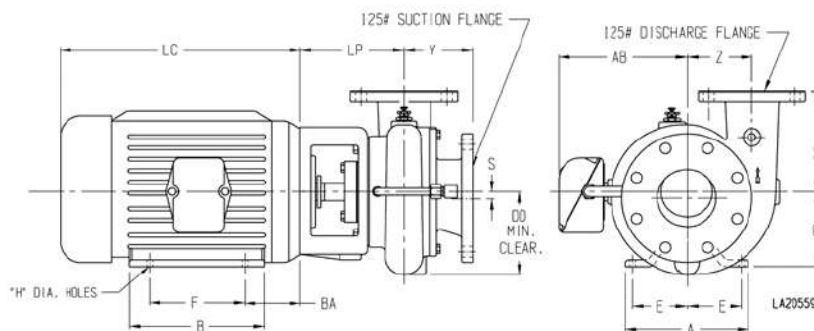
OIL & GAS



REFRIGERATION



RENTAL



PUMP DIMENSIONS										
MODEL	CONNECTION		DISCHARGE INCREMENT	AK DIM.	DD	S	X	Y	Z	LP
	DISCHARGE	SUCTION								
4RB	4	6	90°	8.5	10.88	-	10	7.38	8	7.75
				12.5	10.88	-	10	7.38	8	7.75

MOTOR DIMENSIONS										
MOTOR FRAME	AK DIM.	A	B	D	E	F	H	AB	BA	LC
324-6	12.5	14.25	14	8	6.25	12	0.66	12.22	5.5	22.19
364-5	12.5	15.75	14	9	7	12.25	0.66	13.2	6.12	24.31
404-5	12.5	18.5	16.62	10	8	13.75	0.81	16.39	6.88	29.97

