

### AVAILABLE MOUNTING CONFIGURATIONS

2.5H-CC CLOSE COUPLED  
2.5H-VM VERTICAL CLOSE COUPLED

### OPERATING LEVELS

MIN FLOW	60 GPM	13.6 m <sup>3</sup> /h
MAX FLOW	380 GPM	86.3 m <sup>3</sup> /h
DISCHARGE SIZE	2.5"	63.5 mm
SUCTION SIZE	4"	101.6 mm
SOLIDS HANDLING	.41"	10 mm
MAX SPEED	1800 RPM	1800 RPM
SHUT-OFF HEAD	232'	70.7 m
BEP HEAD	205'	62.5 m
BEP FLOW	330 GPM	75 m <sup>3</sup> /h
BEP PERCENT	68%	68%



A typical picture of the pump is shown. Please contact StarTech Pump Company for further details. All information is approximate and for general guidance only.

PARTS	ALL IRON	CAST IRON BRONZE FITTED
IMPELLER	CAST IRON ASTM A48 CL30	CAST IRON ASTM A48 CL30
VOLUTE	CAST IRON ASTM A48 CL30	CAST IRON ASTM A48 CL30
SHAFT	CARBON STEEL	CARBON STEEL
SHAFT SLEEVE	303 STAINLESS STEEL	BRONZE SAE 660
WEAR RINGS	CAST IRON ASTM A48 CL30	BRONZE SAE 660
SUCTION SPOOL	CAST IRON ASTM A48 CL30	CAST IRON ASTM A48 CL30
BACKPLATE	CAST IRON ASTM A48 CL30	CAST IRON ASTM A48 CL30
MECHANICAL SEAL (OPTIONAL)	T-1, BUNA, CARBON/CERAMIC/STAINLESS	T-1, BUNA, CARBON/CERAMIC/BRASS
PACKING	GRAPHITED ACRYLIC	GRAPHITED ACRYLIC
MOTOR	ODP W/ 1.15 SF	ODP W/ 1.15 SF

The 2.5H pump is designed with StarTech's renowned quality and durability. It features a 2.5" discharge, 4" suction, **enclosed impeller, and flanged tangential single volute. Available in all-iron or bronze-fitted materials. Graphited acrylic packing is standard, with StarTech's patented Cycloseal available (with type 1 single mechanical seal). Optional motors include TEFC (other options available).**

- **Standard cast iron bronze fitted construction (CI impeller)**
- External hydraulic balance line
- Back pullout design
- Replaceable hub & suction wearings
- **Replaceable shaftsleeve**
- "Shower curtain shield" bearing protection •
- **High efficiency hydraulics** •
- Low operating costs •
- Two year warranty •
- **Other mechanical seal (Cycloseal) and material options available**



AGRICULTURE



FOOD



INDUSTRIAL



MINING



MUNICIPAL



OIL & GAS

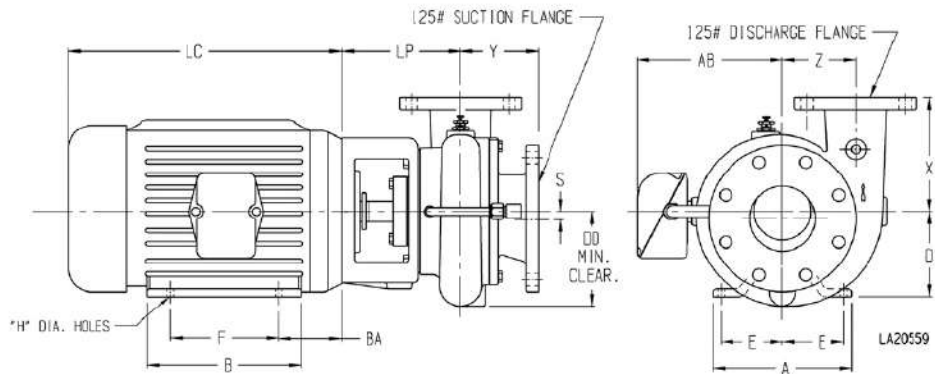


REFRIGERATION



RENTAL

# 2.5H-CC



PUMP DIMENSIONS

MODEL	CONNECTION		DISCH. INCR.	AK DIM.	DD	S	X	Y	Z	LP
	DISCH.	SUCT.								
2.5H	2.5	4	90°	8.5	9.62	0.44	11	8.28	7.75	7.66
				12.5	9.62	0.44	11	8.28	7.75	7.66
3HA	3	6	90°	12.5	11.12	0.44	10	8.53	8.5	10.09
3HC	3	6	90°	12.5	11.12	0.44	10	8.53	8.5	10.09
4HC	4	8	90°	12.5	12.62	0.88	11	10.88	9.75	11.19
4HH	4	6	90°	12.5	15	0.44	9.5	8.97	11.25	10.12
5H	5	8	90°	12.5	14.75	0.88	13	9.66	11.62	10.15
				12.5	16.25	0.44	11	10.56	10.25	10.81
5HH	5	8	90°	16.5	16.25	0.44	11	10.56	10.25	10.81
				12.5	14.75	0.44	14	10.18	11.62	10.12
6H	6	8	90°	16.5	14.75	0.44	14	10.18	11.62	10.12
				12.5	17.12	0.44	12	10.43	12	11.13
6HH	6	8	90°	16.5	17.12	0.44	12	10.43	12	11.13
				12.5	16.75	0.75	13	10.41	11.5	11.38
8H	8	10	90°	16.5	16.75	0.75	13	10.41	11.5	11.38
				12.5	16.75	0.75	13	10.41	11.5	11.38

MOTOR DIMENSION

MOTOR FRAME	AK DIM.	A	B	D	E	F	H	AB	BA	LC
213-5	8.5	9.5	8	5.25	4.25	7	0.41	7.94	4.5	13.69
254-6	8.5	11.25	11.25	6.25	5	10	0.53	9.5	5	17.94
284-6	12.5	12.25	12.25	7	5.5	11	0.53	11.37	5	21.31
324-6	12.5	14.25	13.75	8	6.25	12	0.66	12.22	5.5	22.19
364-5	12.5	15.75	14	9	7	12.25	0.66	13.2	6.12	24.31
404-5	12.5	18.5	16.62	10	8	13.75	0.81	16.39	6.88	29.97
444-5	16.5	21.5	19.5	11	9	16.5	0.81	19.06	7.5	31

