



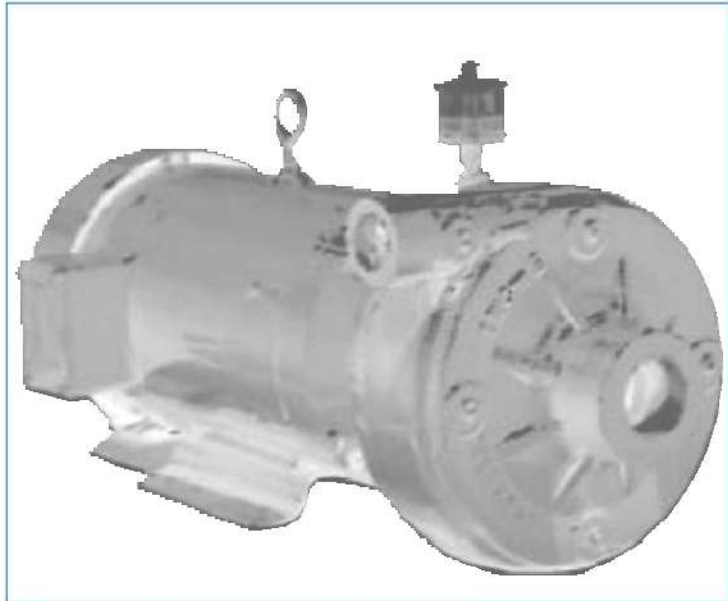
# STARTECH PUMP COMPANY

## 1WC Clear Liquid Pump

### PUMP SPECIFICATION

- Discharge Size** - 1 inch
- Suction Size** - 1.5 inch
- Mounting Configuration** - horizontal or vertical  
close coupled, horizontal frame and vertical frame
- Motor** - TEFC standard (other motors available on request)
- Casing** - cast iron ASTM A48, class 30
- Impeller** - silicon bronze ASTM C87500
- Wear Rings** - bronze SAE 660
- Shaft Sleeve** - bronze SAE 660
- Shaft** - (frame mount) SAE 1144 Stressproof®
- Mechanical Seal** - carbon-ceramic with buna o-ring seat and stainless steel metal parts

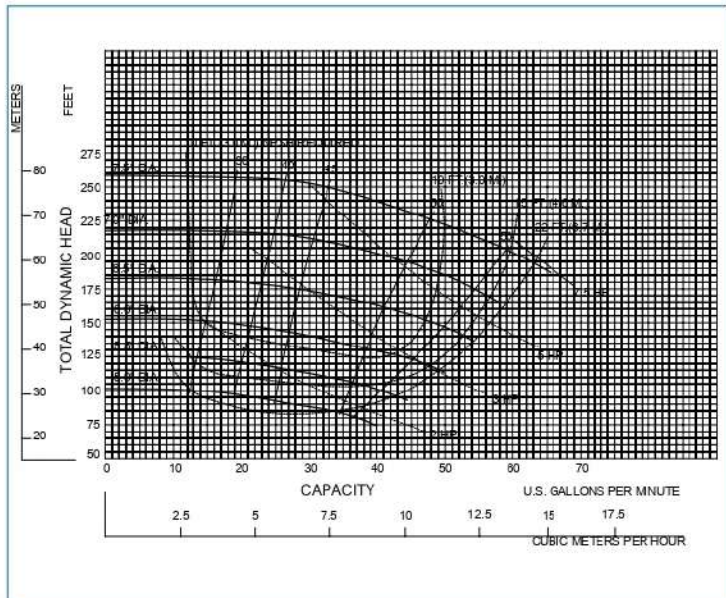
Other materials available on request



7.5 HP with optional run-dry feature shown

### FEATURES & BENEFITS

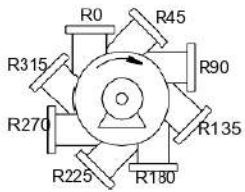
- Ideally suited for water and water booster applications
- Back pull-out design
- T-21 single seal with run-dry option
- Heavy duty cast iron construction
- Patented Cycloseal® design (U.S. patent #5489187)
- Off the shelf availability in many motor sizes
- Two year warranty



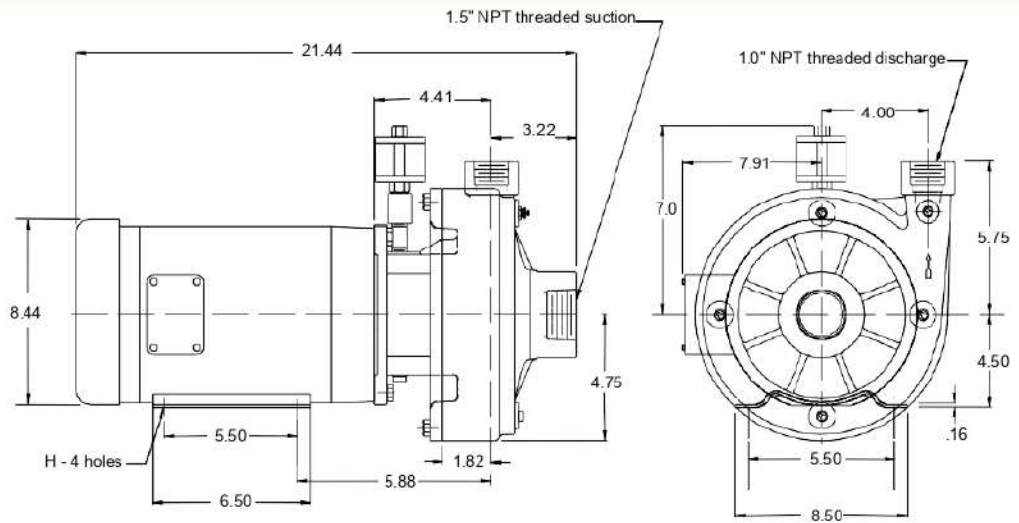
1WC - 3600 RPM

Stressproof® is a registered trademark of Niagara-LaSalle Steel.

## CLOSE COUPLED DIMENSIONS



Discharge positions  
viewed from drive end-  
right hand



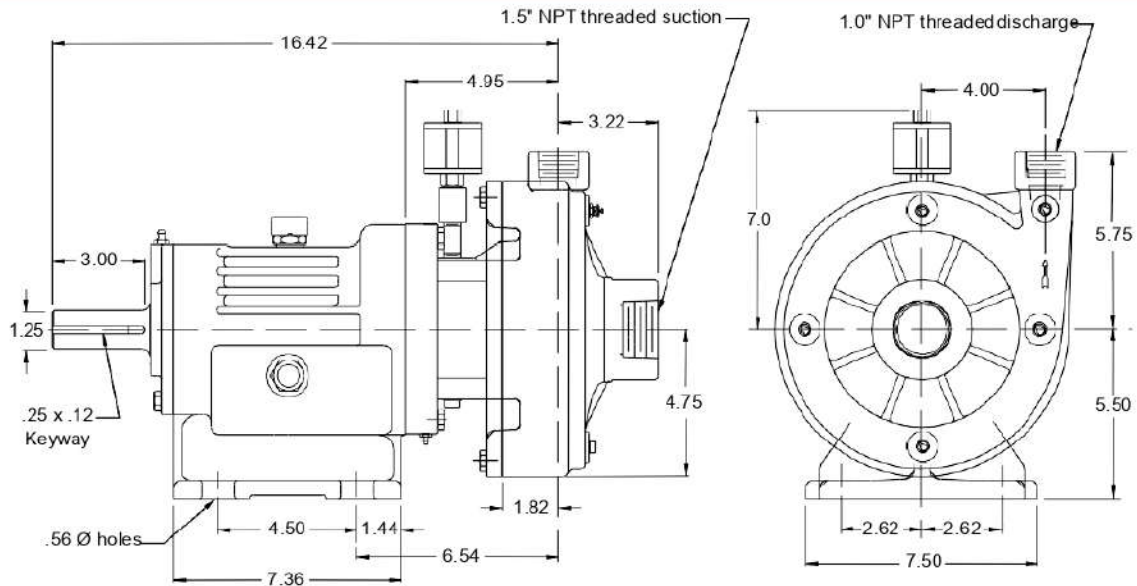
Do not use for construction unless certified.  
Suction and discharge connection dimension can vary  $\pm .12$  inch.

## MOTOR DIMENSIONS

MOTOR SIZE	NEMA FRAME	A	B	D	E	F	G	H	O	R	AB	CP
1 HP (4 pole)	143JM	6.50	5.94	3.50	2.75	2.00	.12	.34	6.88	5.25	7.28	18.88
1.5 HP (4 pole), 2 HP, 3 HP (2 pole)	145JM	6.50	5.94	3.50	2.75	2.50	.12	.34	6.88	5.25	7.28	18.88
5 HP (2 pole)	184JM	8.50	6.50	4.50	3.75	2.75	.16	.41	8.44	5.88	7.91	21.44
7.5 HP (2 pole)	184JM	8.50	6.50	4.50	3.75	2.75	.16	.41	8.44	5.88	7.91	22.94

Motor dimensions are for standard efficiency TEFC motors and may vary depending on manufacturer.

## F5 FRAME DIMENSIONS



ISO9001 CERTIFIED

**StarTech Pump Company**